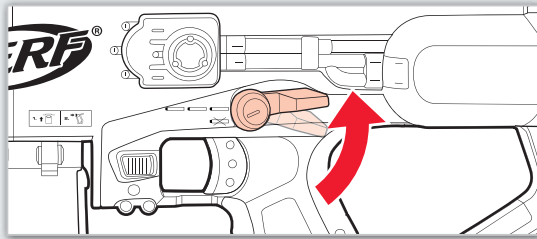
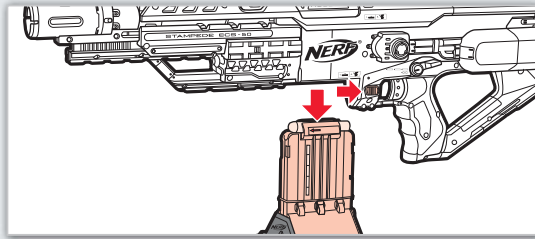


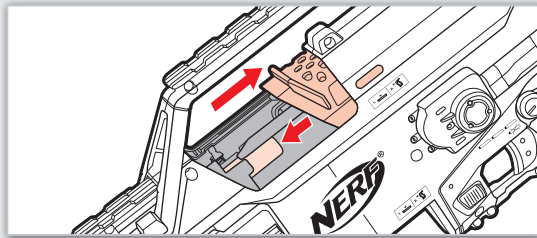
CLEARING A JAM



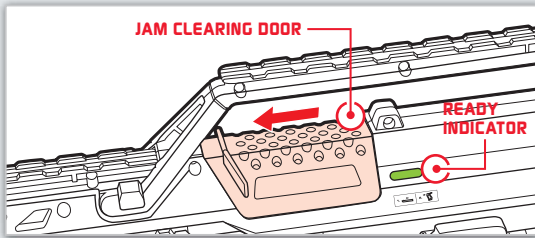
1 Move the ON-OFF SWITCH to the "OFF" position.



2 Remove the DRUM MAGAZINE.



3 Open JAM CLEARING DOOR all the way and tilt blaster so that the barrel is pointed at the ground to clear darts from the barrel.



4 Remove any jammed darts from the area near the JAM CLEARING DOOR. Close door.

NOTE: Blaster will not function unless JAM CLEARING DOOR is fully closed. READY INDICATOR should be green for blaster to fire.

IMPORTANT: BATTERY INFORMATION

⚠ CAUTION:

1. Always follow the instructions carefully. Use only batteries specified and be sure to insert them correctly by matching the + and - polarity markings.
2. Do not mix old batteries and new batteries or standard (carbon-zinc) with alkaline batteries.
3. Remove exhausted or dead batteries from the product.
4. Remove batteries if product is not to be played with for a long time.
5. Do not short-circuit the supply terminals.
6. Should this product cause, or be affected by, local electrical interference, move it away from other electrical equipment. Reset (switching off and back on again or removing and re-inserting batteries) if necessary.
7. RECHARGEABLE BATTERIES: Do not mix these with any other types of batteries. Always remove from the product before recharging. Recharge batteries under adult supervision. DO NOT RECHARGE OTHER TYPES OF BATTERIES.



© 2010 Hasbro. All Rights Reserved.
TM & © denote U.S. Trademarks.
U.S. Pat. No. 5529050 and patents pending.
94665 PN 7076460000

NERF.COM
FOR NEW PRODUCTS AND OFFERS
Questions? Call: 1-800-327-8264

NERF

⚠ CAUTION:
Do not aim at eyes or face. TO AVOID INJURY:
Use only darts designed for this product. Do
not modify darts or dart blaster.

AGES 8+

BE SURE TO READ AND FOLLOW ALL INSTRUCTIONS
CAREFULLY BEFORE USING THIS PRODUCT.



NOTE: The JAM CLEARING DOOR
must be fully closed, and the
READY INDICATOR must be green,
or your blaster WILL NOT FIRE.

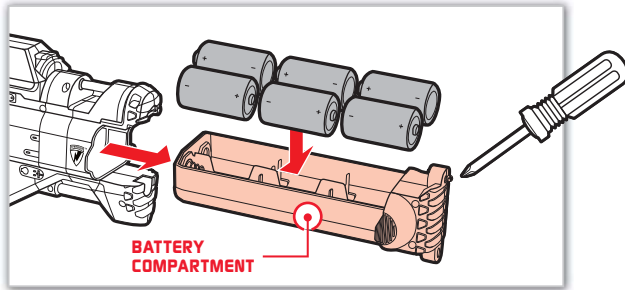
N-STRIKE

x6 ALKALINE
BATTERIES
REQUIRED
1.5V D or LR20 size
NOT INCLUDED

Phillips/cross head screwdriver (not
included) needed to insert batteries.

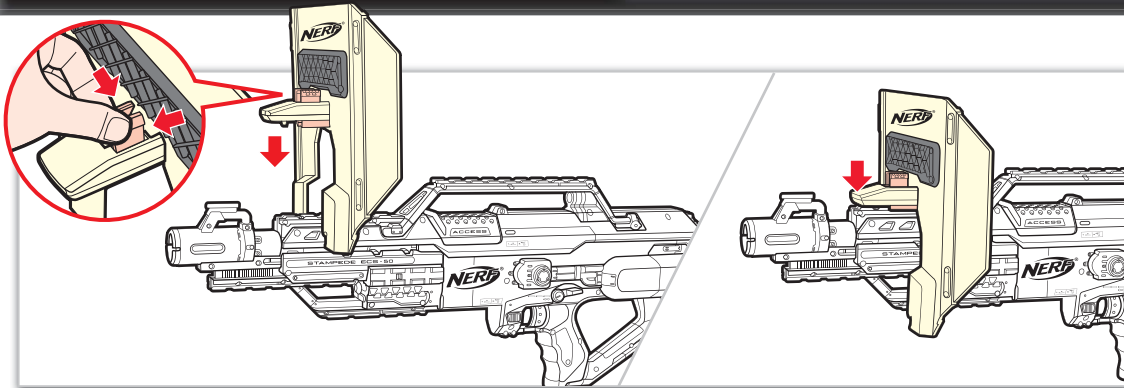
STAMPEDE ECS-50™

TO INSERT BATTERIES



- 1 Loosen screws in battery compartment door with a Phillips/cross head screwdriver (not included).
- 2 Remove battery tray. Insert 6 x 1.5V "D" or LR20 alkaline batteries.
- 3 Replace battery tray and tighten screws.

ASSEMBLY



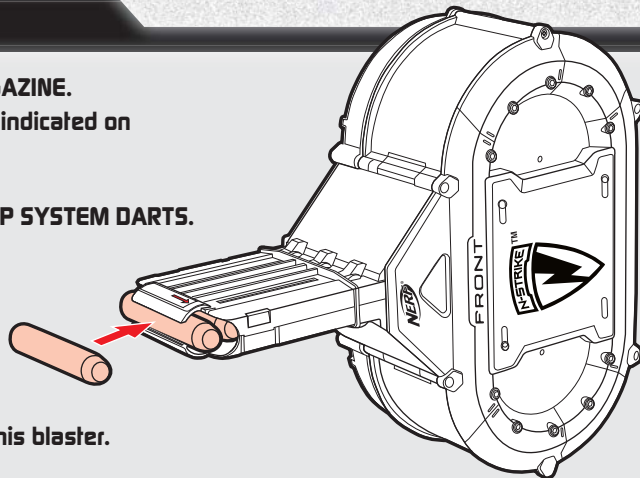
- 1 Squeeze release levers to attach or remove the BLAST SHIELD.

LOADING AMMO

Load CLIP SYSTEM DARTS into DRUM MAGAZINE.

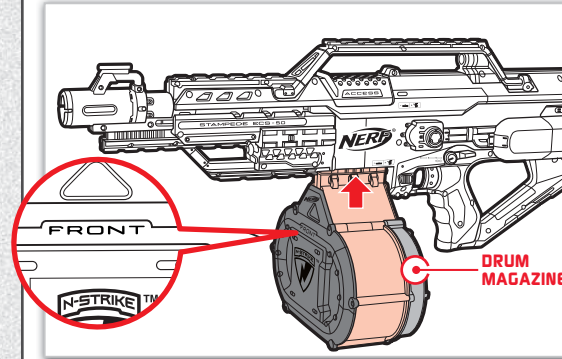
- Be sure DARTS are inserted in direction indicated on DRUM MAGAZINE.
- Insert 1 CLIP SYSTEM DART at a time.
- DRUM MAGAZINE can hold up to 50 CLIP SYSTEM DARTS.

Do not insert more than 50 darts.

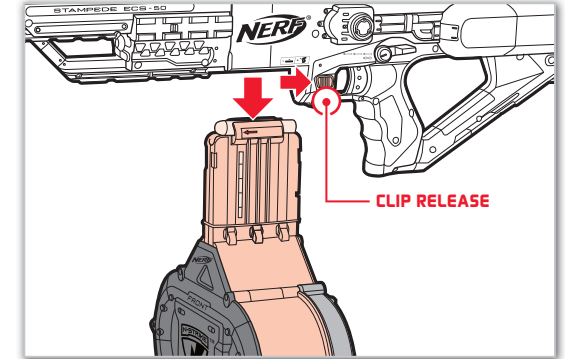


NOTE: Use only CLIP SYSTEM DARTS with this blaster.

INSERTING DRUM MAGAZINE

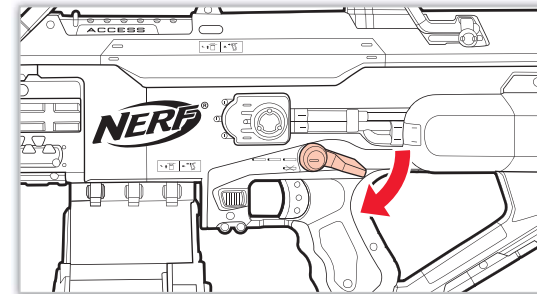


- 1 Insert DRUM MAGAZINE into DRUM CONNECTOR until it locks into place. Make sure the word "FRONT" on DRUM MAGAZINE faces front of blaster.

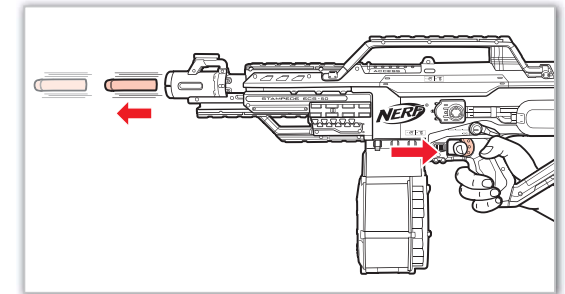


- 2 Slide the CLIP RELEASE BUTTON toward the back of the blaster to remove DRUM MAGAZINE.

FIRING

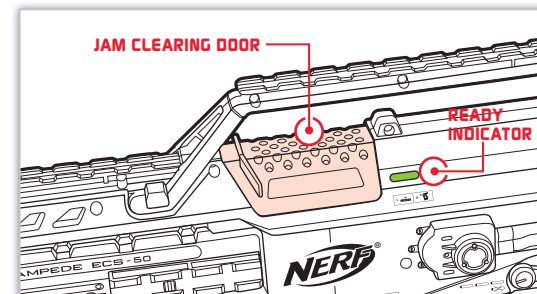


- 1 Rotate switch to "ON" position.



- 2 Pull trigger to fire.

NOTE



JAM CLEARING DOOR must be fully closed for blaster to fire. READY INDICATOR must be green for blaster to fire.